



Single-Ended Cordsets

#16 AWG yellow ST00W cable – U.S. color code
 Oil-resistant PVC jacket
 Low-resistance contact design with gold/palladium nickel plating

	9P	10P	12P
FEMALE FACE VIEW			
COLOR CODE	1- orange 2- blue 3- red-black trace 4- green-black trace 5- white 6- red 7- green-gnd 8- white-black trace 9- black	1- orange 2- blue 3- white-black trace 4- red-black trace 5- green-black trace 6- orange-black trace 7- red 8- green-gnd 9- black 10- white	1- orange 2- blue 3- white-black trace 4- red-black trace 5- green-black trace 6- orange-black trace 7- blue-black trace 8- black-white trace 9- green-gnd 10- red 11- white 12- black
VOLTAGE	600V AC/DC	600V AC/DC	600V AC/DC
CURRENT	7A	7A	5A
CONDUCTOR	#16-9	#16-10	#16-12

FEMALE	FIG	SINGLE-ENDED CORDSETS WITH #16 AWG ST00W CABLE 3 FEET LONG		
STRAIGHT	1	309000A01F030	301000A01F030	302000A01F030
90°	2	309001A01F030	301001A01F030	302001A01F030
MATING RECEPTACLE*	5	3R9006A20A120	3R1006A20A120	3R2006A20A120
MALE	FIG	SINGLE-ENDED CORDSETS WITH #16 AWG ST00W CABLE 3 FEET LONG		
STRAIGHT	3	309002A01F030	301002A01F030	302002A01F030
90°	4	309003A01F030	301003A01F030	302003A01F030
MATING RECEPTACLE*	5	3R9004A20A120	3R1004A20A120	3R2004A20A120

CATALOG OPTIONS

*See Page 82 for additional Mating Receptacles

Use the following chart to modify your part's specifications

309000A01F0301

CABLE LENGTH

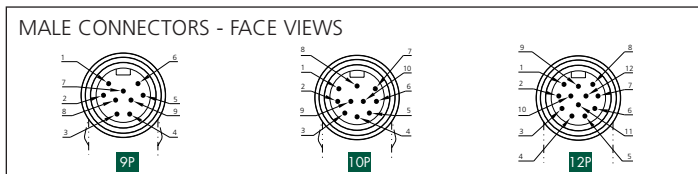
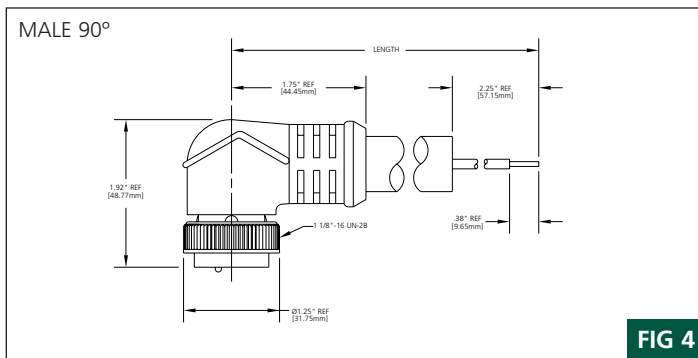
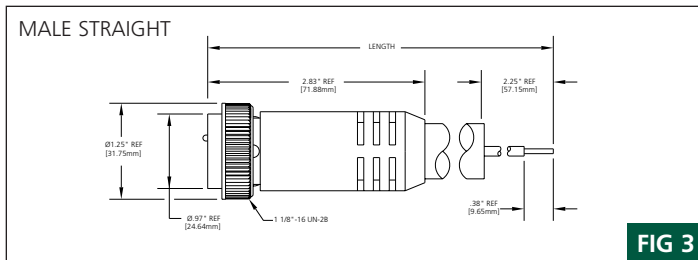
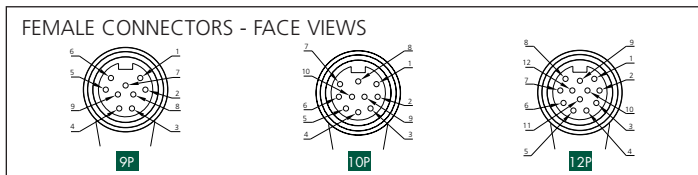
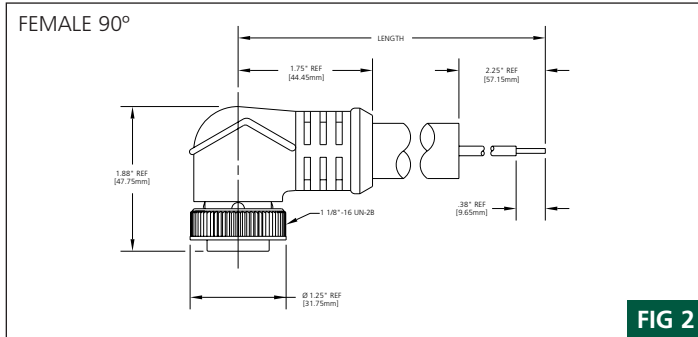
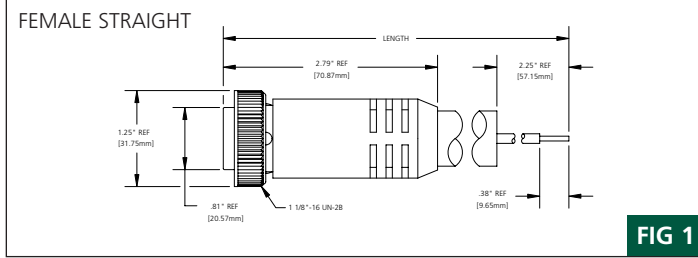
6'	060
12'	120
20'	200

COUPLING NUT

STAINLESS STEELADD 1

Specifications

CONNECTOR DIMENSIONS



MECHANICAL
 CONNECTOR FACE:
 MOLDED BODY:
 COUPLING NUT:

PVC - UL STD 94 - V0
 PVC - UL STD 94 - V0
 ZINC DIECAST W/ BLACK EPOXY
 COAT, OPTIONAL STAINLESS STEEL
 TYPE 303

CABLE:
 YELLOW, #16 AWG, PVC JACKET &
 PVC CONDUCTOR INSULATION
 OVER 65 X #34 COPPER STRANDING,
 600V, UL STYLE ST00W CSA ST

OUTSIDE DIAMETER:
 9P - .64" (16.3mm)
 10P - .66" (16.8mm)
 12P - .71" (18.0mm)

ELECTRICAL
 VOLTAGE RATING:
 AMPERAGE:

600 V AC/DC
 9P - 7A
 10P - 7A
 12P - 5A

ENVIRONMENTAL
 PROTECTION:
 AMBIENT OPERATING TEMP:

IP 68, NEMA 6P
 -4° to 221° F (-20° to 105° C)

CERTIFICATIONS

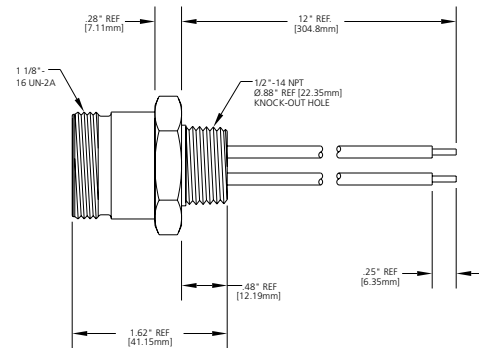
UL:
 CSA:

UL RECOGNIZED, File No. E46237
 CSA CERTIFIED, File No. LR6837

RECEPTACLE DIMENSIONS

MALE STRAIGHT WITH 1/2" - 14NPT THREADS
 FEMALE STRAIGHT WITH 1/2" - 14NPT THREADS

SEE PAGE 82 FOR
 ADDITIONAL
 RECEPTACLES



———— TYPICAL FACE VIEW ———— TYPICAL KNOCK OUT ————

1.25" REF
 [31.75mm]

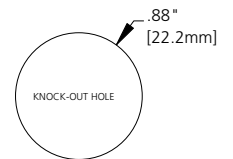
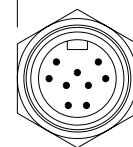


FIG 5

MALE RECEPTACLES - FACE VIEWS

