

Contact assignment:

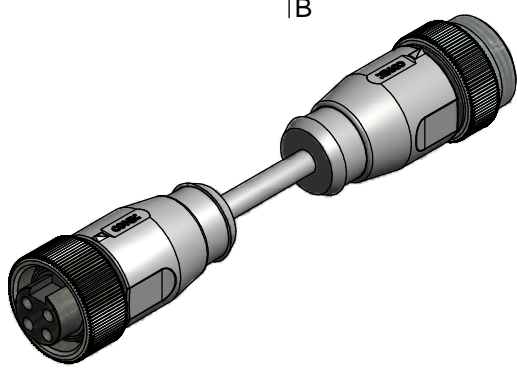
- 1) brown
- 2) white
- 3) blue
- 4) black

Technical specification:

Rated voltage: IEC 60664-1	300 V
Overvoltage category: IEC 60664-1	2
Overvoltage: IEC 60664-1	2,7 kV
Current rating: IEC 60512-3 at 40°C	0,75mm ² 1,5mm ² 8 A 10 A
Insulation resistance: IEC 60512	>=100 MΩ
Pollution degree: IEC 60664-1	3/2
Degree of protection: IEC 60529	IP 68, in mated condition
Temperature range: IEC 60664-1	-30°C ... +80°C
Mating cycles: IEC 60512-9a	>=100
Termination:	crimped

Materials:

Contact:	CuZn
Contact plating:	Nickel, gold plated
Contact carrier:	TPU, UL 94
Coupling nut/ screw:	CuZn, nickel plated
Moulding body:	TPU, UL 94, grey



Part no:	Description:	Length L:	Cable:
41-01209	SAL - 7/8 - RK4 - RS4 - 0,6 / A3	0,6m	PVC, UL 2464, grey, 4x0,75mm ² Cable: 781-A37400
41-01210	SAL - 7/8 - RK4 - RS4 - 1 / A3	1m	
41-01211	SAL - 7/8 - RK4 - RS4 - 1,5 / A3	1,5m	
41-01212	SAL - 7/8 - RK4 - RS4 - 2 / A3	2m	
41-xxxxx	SAL - 7/8 - RK4 - RS4 - ... / A3	x	
41-01257	SAL - 7/8 - RK4 - RS4 - 0,6 / A3 / 150	0,6m	PVC, UL 2464, grey, 4x1,50mm ² Cable: 781-A38400
41-01258	SAL - 7/8 - RK4 - RS4 - 1 / A3 / 150	1m	
41-01259	SAL - 7/8 - RK4 - RS4 - 1,5 / A3 / 150	1,5m	
41-01260	SAL - 7/8 - RK4 - RS4 - 2 / A3 / 150	2m	
41-xxxxx	SAL - 7/8 - RK4 - RS4 - ... / A3 / 150	x	

D see date sheet cable

DO NOT ALTER CAD DRAWING BY HAND	Directive 2002/95/EC RoHS compliant	Index: c 03.09.10 KH Ä3736 technical specification changed, part no. cable in table added, neutral line added	dim. in mm	title: Connecting cable 7/8", female connector axial - male connector axial		
		tolerance of cable: L ≤ 4m: L + 40mm L > 4m: L + 1%			date name	
		THIS DRAWING MAY NOT BE COPIED OR REPRODUCED IN ANY WAY, AND MAY NOT BE PASSED ON TO A THIRD PARTY WITHOUT WRITTEN PERMISSION. OWNERSHIP AND COPYRIGHT OF CONEC GmbH	drawn 12.02.08 Franz			dwg no:
			appd. 12.02.08 Mankopf			41K1A359
			part no:	see table		